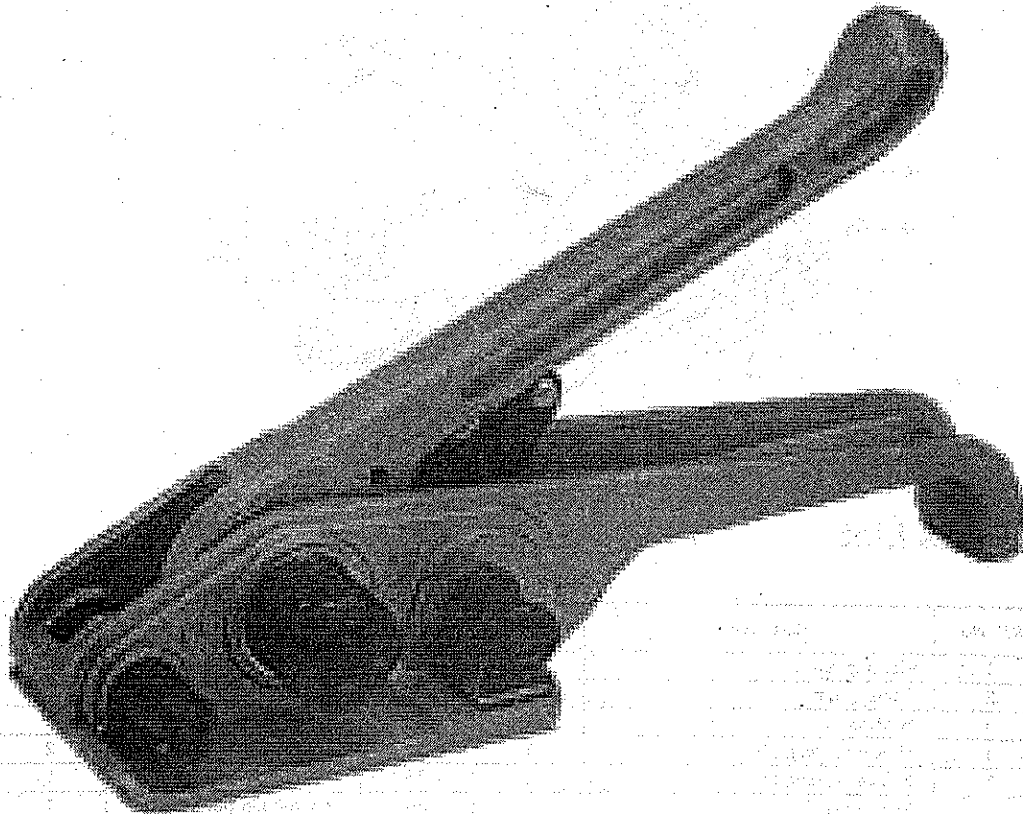
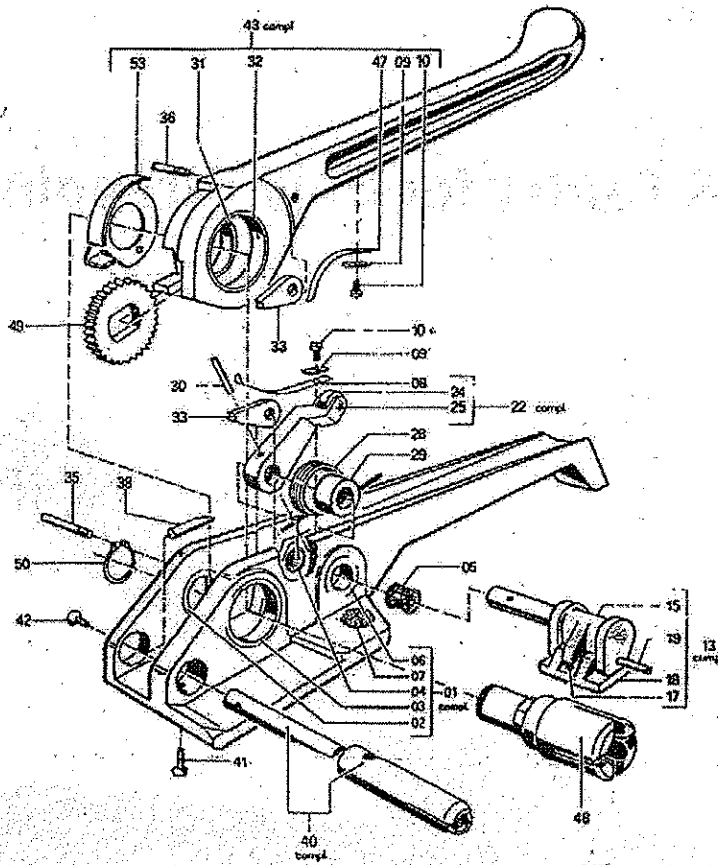


Tensioner & Cutter for Poly Strapping



Item # PKG-PTC

※ Explosive Diagram



※ Parts List

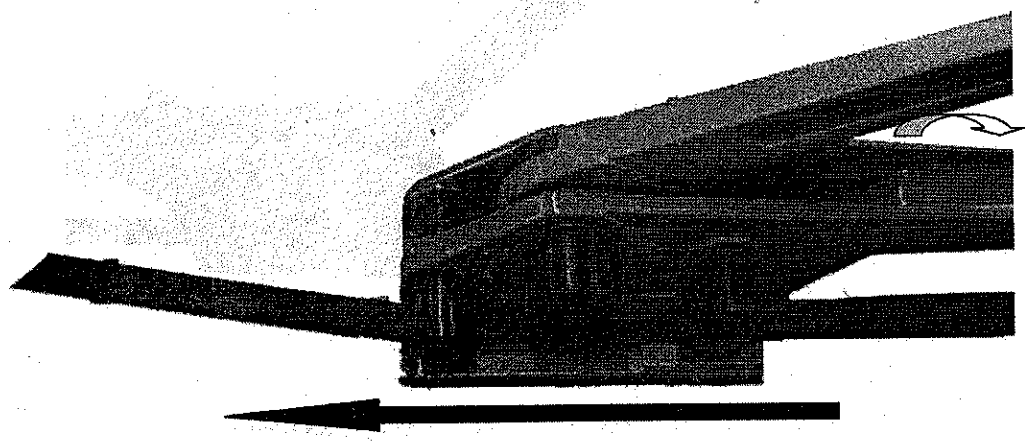
Ref. No.	Part name	Quantity	Ref. No.	Part name	Quantity
1	Housing assy	1	30	Spiral pin	1
2	Bushing r.h.	1	31	Bushing, r.h.	1
3	Bushing l.h.	1	32	Bushing, l.h.	1
4	Needle bearing, r.h	1	33	Ratchet pawl	2
5	Needle bearing, l.h.	1	35	Ratchet pin (housing)	1
6	Bushing l.h.	1	36	Ratchet pin (lever)	1
7	Gripper stud (only ORS 1100, 19PP)	1	38	Cutter actuating pin	1
8	Ratched spring (housing)	1	40	Cutter assy	1
9	Washer plate	2	41	Counter sunk screw	1
10	Cylinder head screw	2	42	Counter sunk screw	1
13	Clamp assy., (Ref. No. 15-19)	1	43	Lever assy	1
15	Clamp arm	1	47	Ratchet spring (handle)	1
17	Clamp Plate spring	1	48	Windlass	1
18	Clamp plate	1	49	Ratchet gear	1
19	Shank screw	1	50	Circlip	1
22	Release lever assy., (Incl , 24+25)	1	53	Cutter actuator, notice 2	1
24	Roller	1			
25	Rivet	1			
28	Clamp spring	1			
29	Spacer	1			

Please order parts by number and name.

※ OPERATING INSTRUCTION

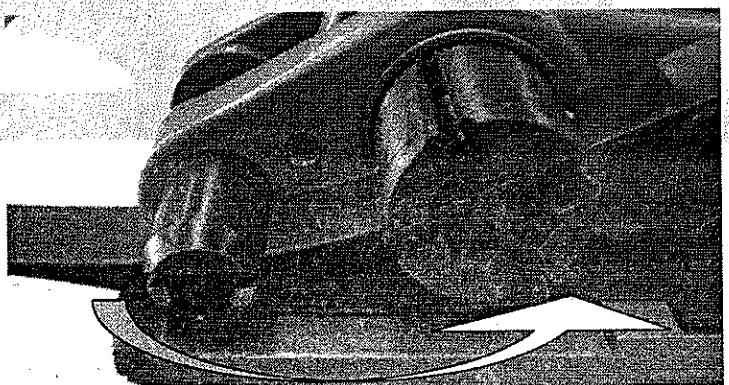
basically out (model) ...

- 1. Press down the handle. Then put the strapping's one end inside the model from right to left. (Accord the arrowhead direction)**



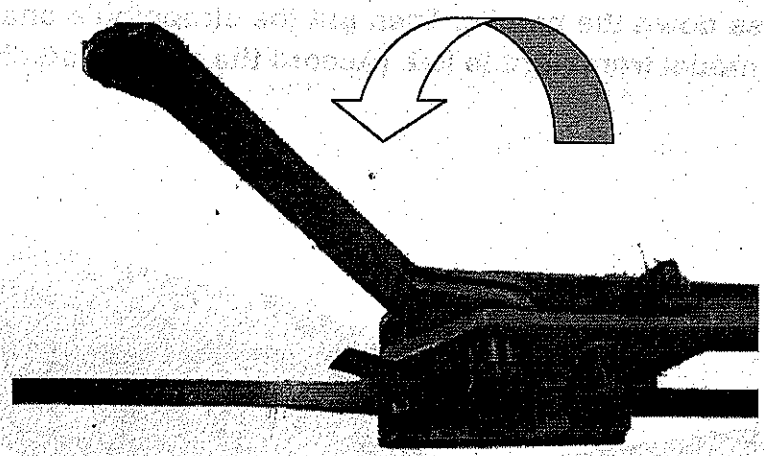
ed (model) ...

- 2. Put the strapping's another end inside the model from left to right. (Accord the arrowhead direction)**



OPERATING INSTRUCTIONS

3. Use the handle to tension the strapping. (Accord the arrowhead direction)



4. Press down the handle to cut off the strapping. (Accord the arrowhead direction)

